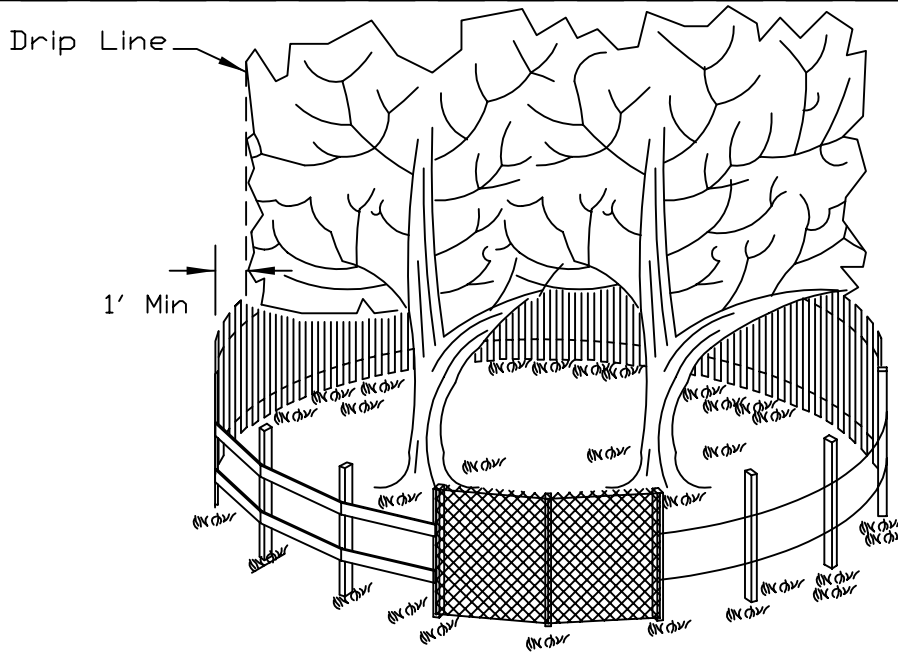
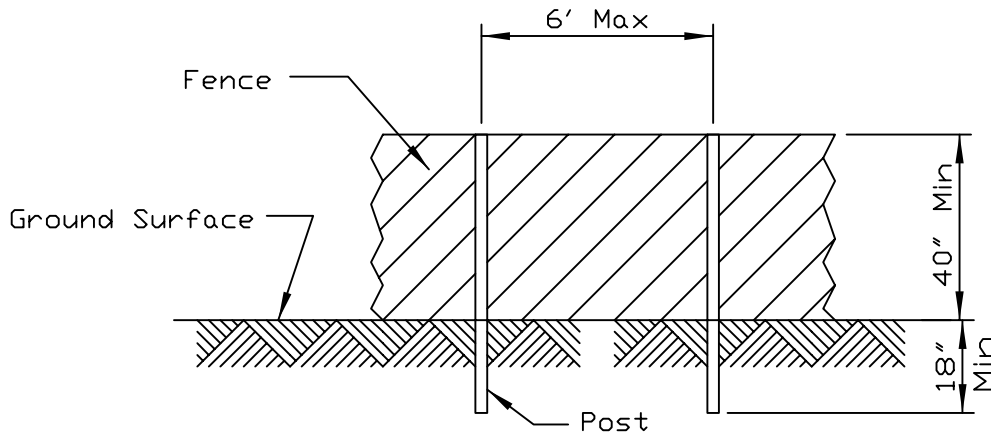


TREE PROTECTION - FENCING



SIDE VIEW



POST AND FENCE DETAIL

NOTES:

1. The fence shall be located a minimum of 1 foot outside the drip line of the tree to be saved and in no case closer than 5 feet to the trunk of any tree.
2. Fence posts shall be either standard steel posts or wood posts with a minimum cross sectional area of 3.0 sq. in.
3. The fence may be either 40" high snow fence, 40" plastic web fencing or any other material as approved by the engineer/inspector.

REFERENCE	
Project	_____
Designed	_____ Date _____
Checked	_____ Date _____
Approved	_____ Date _____



NRCS

Natural Resources Conservation Service

STANDARD DWG. NO.
IL-690
SHEET 1 OF 1
DATE 4-7-94