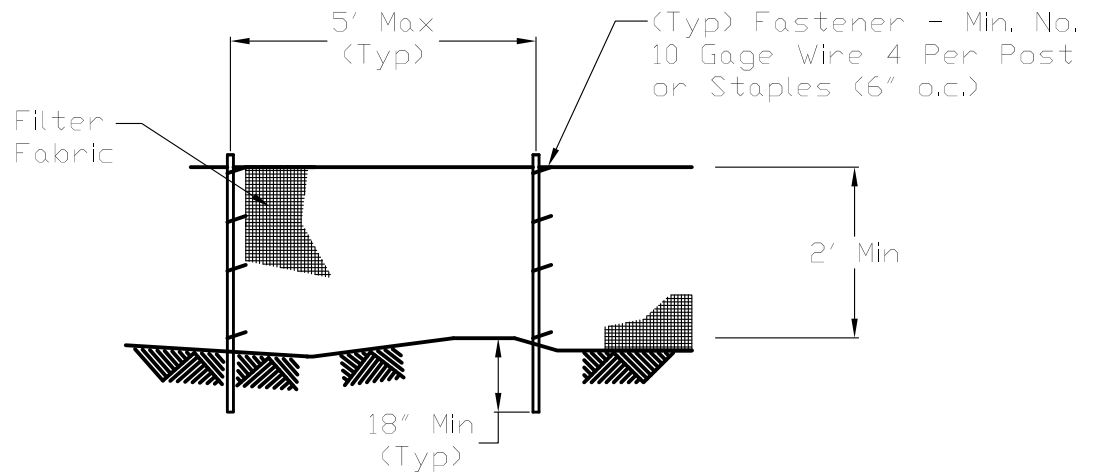
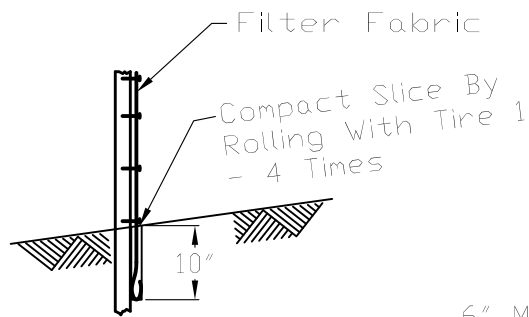


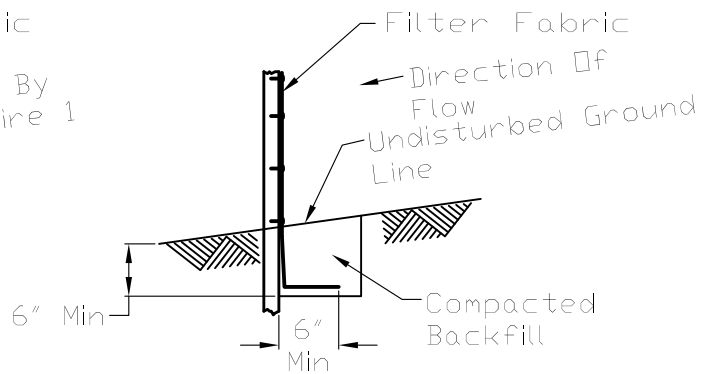
SILT FENCE PLAN



ELEVATION



FABRIC ANCHOR DETAIL
STATIC SLICE INSTALLATION



FABRIC ANCHOR DETAIL
TRENCH INSTALLATION

NOTES:

1. Silt fence shall be installed prior to any grading work in the area to be protected. They shall be maintained throughout the construction period and removed in conjunction with the final grading and site stabilization. Silt fence shall be placed on flattest area available.
2. Filter fabric shall meet the requirements of material specification 592 Geotextile Table 1 or 2, Class I with equivalent opening size of at least 30 for nonwoven and 50 for woven.
3. Fence posts shall be either standard steel post or wood post with a minimum cross-sectional area of 3.0 sq. in.

REFERENCE

Project _____
 Designed _____ Date _____
 Checked _____ Date _____
 Approved _____ Date _____

STANDARD DWG. NO.

IL-620
 SHEET 1 OF 2
 DATE 09-XX-10