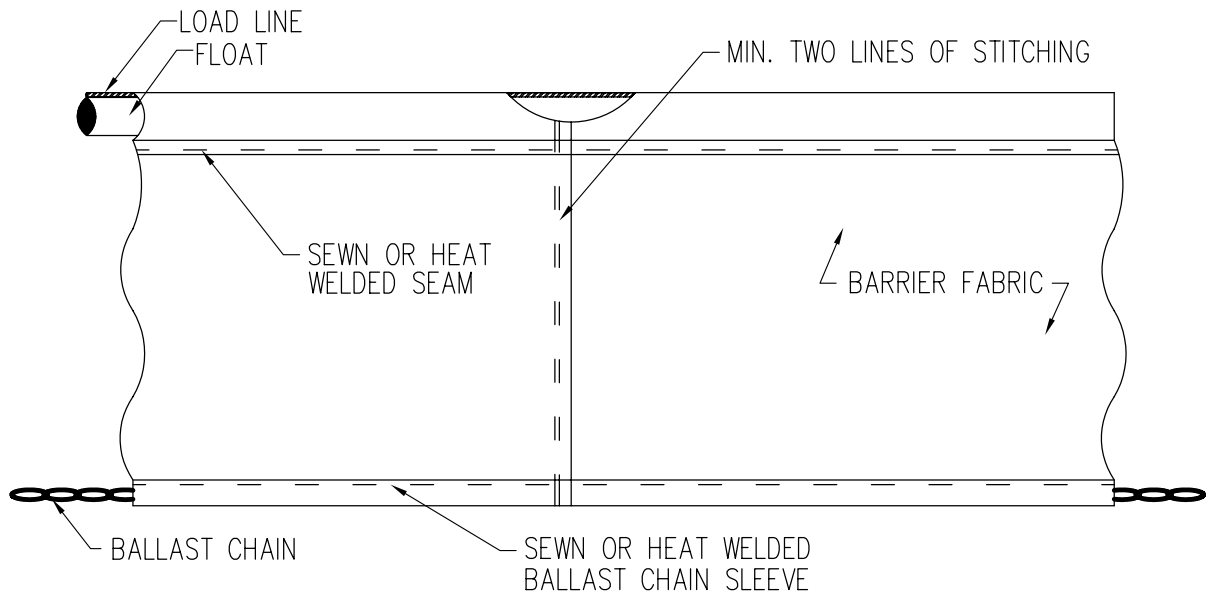
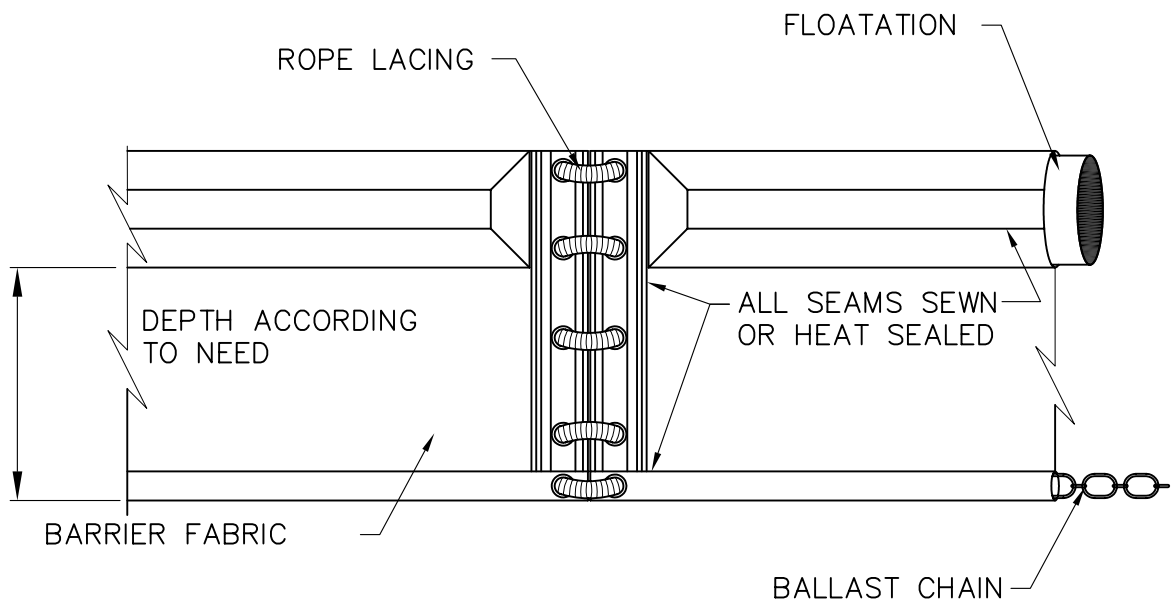


FLOATING SILT CURTAIN – PANEL CONNECTORS



SEWN SEAM



GROMMETED HOLES WITH ROPE LACING

REFERENCE

Project _____
 Designed _____ Date _____
 Checked _____ Date _____
 Approved _____ Date _____

STANDARD DWG. NO.

IL-XXX

SHEET X OF X

DATE XX-XX-09